

H101-UP

Stage compatibility: fits on Upright Microscopes

- Part number of the objectives in use must be specified in purchase order
- XY stage model and serial number must be specified in purchase order

The chamber can fit:

- 35/60 mm Petri
- 1x3 in. / 1x2 in. chambered slides

Features:

- Suitable for dipping lens
- Manageable chamber thanks to the opening of the lid to introduce the objective
- Magnets allow easy interchange chamber insert
- Magnetic locks hold Petri, Slides in correct position inside the chamber
- Perfusion holes: 12 channels for 2.0 mm O.D. tubings are available
- To control the humidity into the chamber humidity module is recommended: HM-ACTIVE



AVAILABLE INSERTS

UP-1x35-M	#1 35mm Petri-dish
UP-1xGS-M	#1 1x3in. chamberslide
UP-1xLABTEK-M	#1 Lab-Tek 1x2 in. chambered cover glass
UP-1xLABTEK-II-M	#1 Lab-Tek II 1x2 in. chambered cover glass
UP-1x60-M	#1 60mm Petri-dish



Ordering Info
H101-UP
UP-1x35

H101-UP - Components



UP-1x35-M
For #1 35mm petri-dish



UP-1x60-M
For #1 60mm petri-dish



UP-1xLABTEK-II-M
#1 Lab-Tek II 1"x2" chambered cover glass

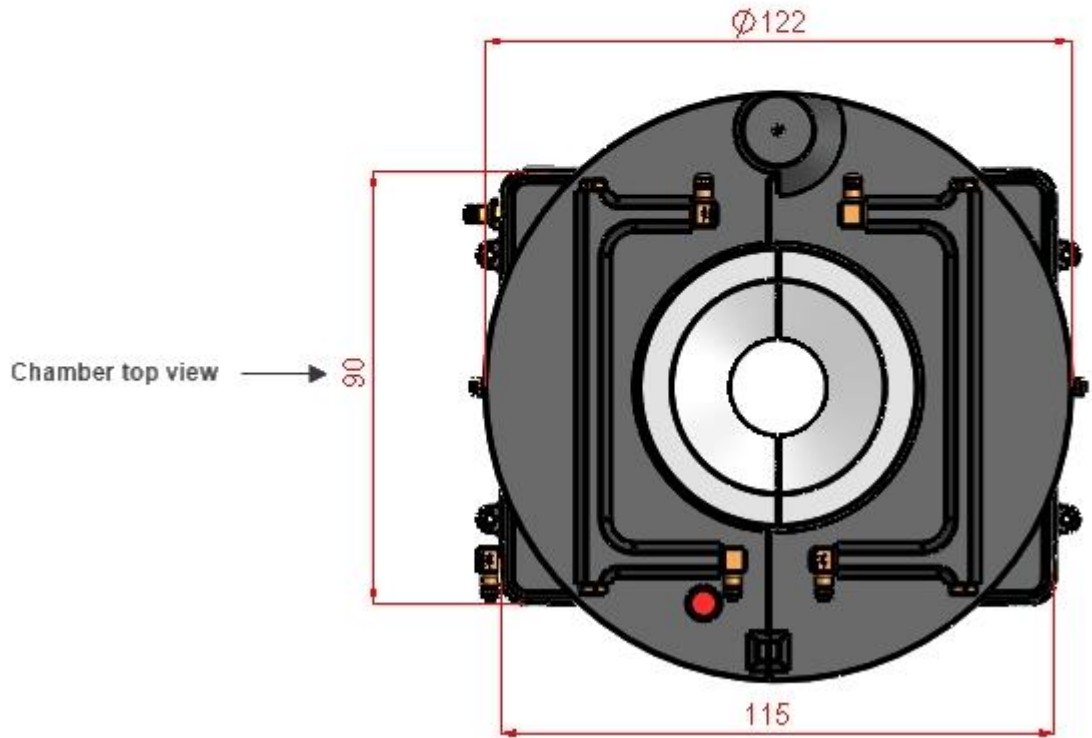
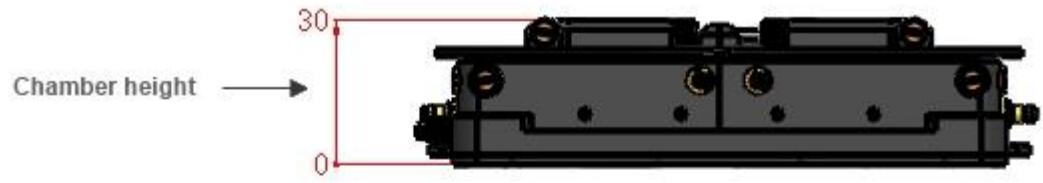


UP-1xGS-M
For #1 1"x3" chamber slides slide



UP-1xLABTEK-M
For #1 Lab-Tek-1"x2" chambered cover glass

H101-UP - Available inserts



H101-UP - Dimensions